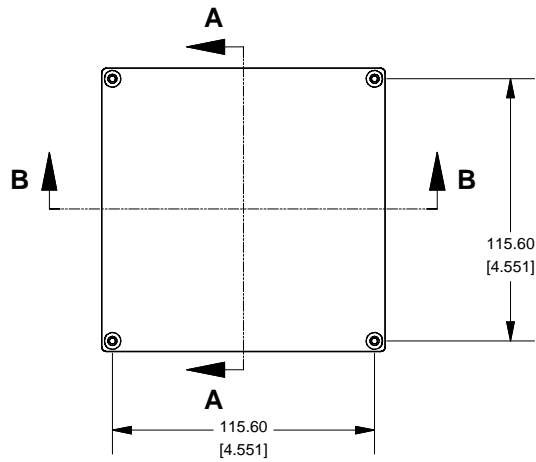
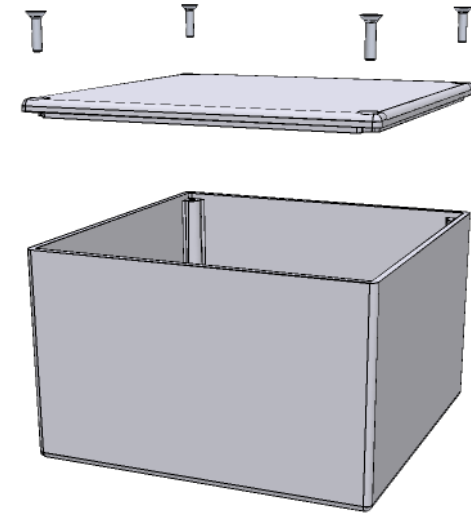
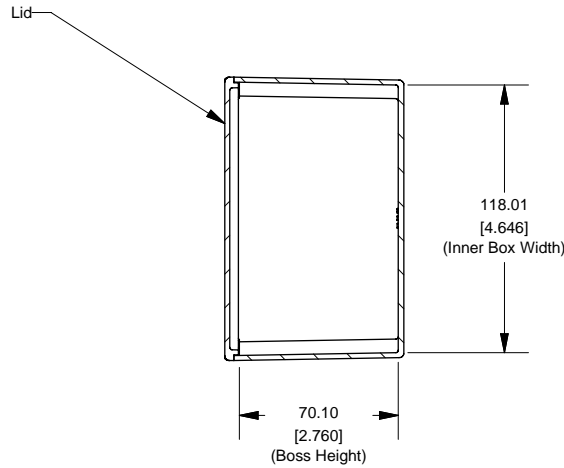


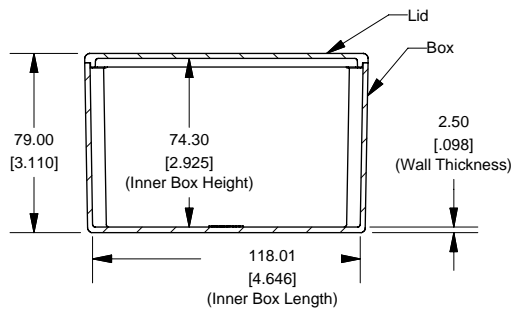
**Top View of Assembly**



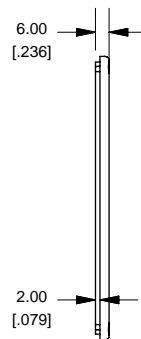
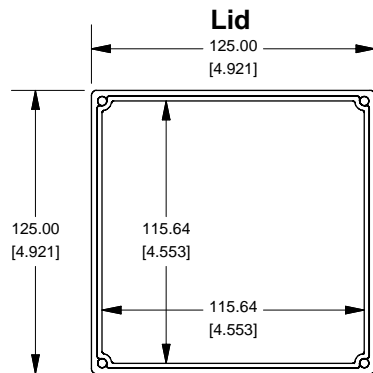
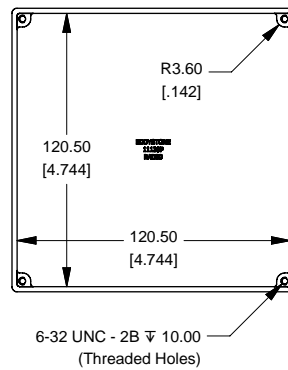
**SECTION A-A  
End View of Assembly**



**SECTION B-B  
Side View of Assembly**



**Top View Looking Inside Box**



Enclosures can be Factory Modified ( Milling, Drilling, Printing etc.)  
Contact Factory [mjm@hammondmg.com](mailto:mjm@hammondmg.com) for quotes  
Solid models of this enclosure available in STEP or IGES.

NOTE	
Purchased assembly includes box, lid and 4 cover screws. Box and lid are made from Diecast Aluminum Alloy (alloy type 380). Silicone Gasket Loctite #5950	
PART NUMBERS	
1590K Enclosure	
Unfinished	1590K
Grey Textured Polyester Powder Paint - RAL 7038	1590KGY
Black Textured Polyester Powder Paint - RAL 9011	1590KBK
1590K Liquid Resistant Enclosure (Silicon Factory Installed Gasket)	
Unfinished	1590WK
Black Textured Powder Paint	1590WKBK
ACCESSORIES	
Recommended Torque: 75 ozf.in / 55 cN.m	
Black Textured Cover Screws (Pkg 50) [6-32 x 1/2" SS Type 304]	1590WMS100BK
Unfinished Cover Screws (Pkg 100) [6-32 x 1/2" Nickel Plated Screws]	1590WMS100
Standard Cover Screws	
Unfinished Cover Screws (Pkg 100) [6-32 x 1/2" Nickel Plated Screws]	1590MS100
Black Textured Cover Screws (Pkg 50) [6-32 x 1/2" SS Type 304]	1590MS100BK

**HAMMOND  
MANUFACTURING™**

**1590K**

[www.hammondmg.com](http://www.hammondmg.com)